

WWW.AIMATTACHMENTS.COM



***AIM Attachments
Series AR-4***



GRAPPLES & THUMBS

Nationwide Toll Free

Ohio: (800) 803-3365

Florida: (800) 779-0648

Arkansas: (800) 789-8554



STIFF-ARM THUMBS

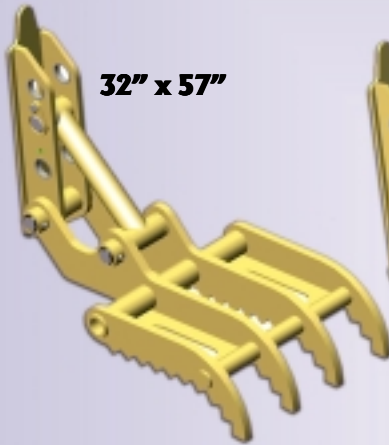
THUMB FEATURES

Mechanical Thumbs

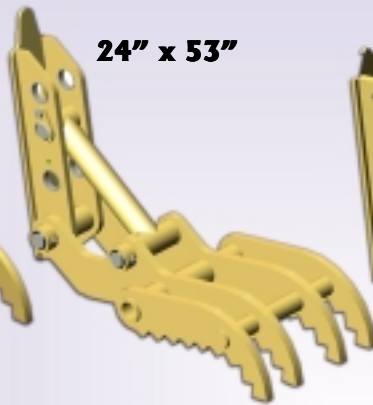
Machine Class	Width	Length	Weight	Pin Diameter	Tine Thickness	# of Tines
3-10,000	8"	28"	106	2.00"	0.50"	2
8-20,000	12"	40"	350	2.00"	0.75"	2
16-35,000	18"	46"	675	2.00"	1.00"	4
20-35,000	18"	56"	778	2.00"	1.00"	4
35-40,000	24"	53"	885	3.00"	1.50"	4
40-60,000	32"	57"	1,050	3.00"	1.50"	4
60-80,000	34"	63"	1,982	3.50"	2.00"	4
80-100,000	36"	76"	2,886	3.50"	2.50"	4
120-165,000	42"	84"	2767	3.50"	2.50"	4



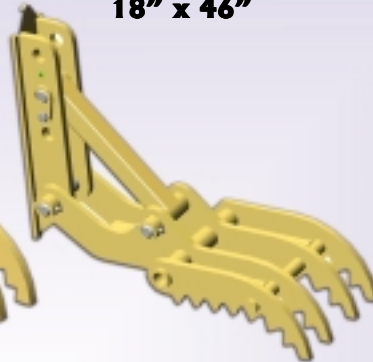
AIM thumbs are designed for mini-excavators, backhoes, and excavators of all sizes!



32" x 57"



24" x 53"



18" x 46"



12" x 40"

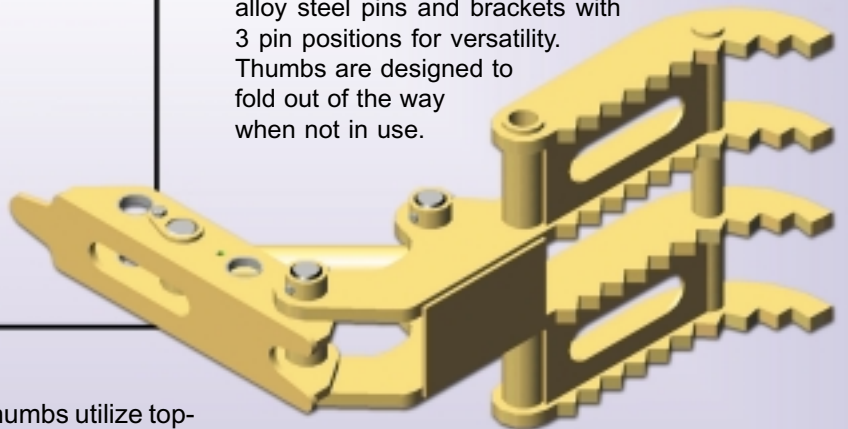
HYDRAULIC THUMBS

AR400 Steel Tines

AIM thumbs feature the thickest AR400 steel tines in the industry. All thumbs offer tines with serrated edges.

Important Features

All mechanical thumbs offer oversized alloy steel pins and brackets with 3 pin positions for versatility. Thumbs are designed to fold out of the way when not in use.



Hydraulic Thumbs

Machine Class	Width	Length	Weight	Pin Diameter	Tine Thickness	# of Tines
3-10,000	8"	28"	100	2.00"	0.50"	2
8-20,000	12"	40"	355	2.00"	0.75"	2
16-35,000	18"	46"	690	2.00"	1.00"	4
20-35,000	18"	56"	793	2.00"	1.00"	4
35-40,000	24"	53"	890	3.00"	1.50"	4
40-60,000	32"	57"	1,060	3.00"	1.50"	4
60-80,000	34"	63"	1,970	3.50"	2.00"	4
80-100,000	36"	76"	2,880	3.50"	2.50"	4



Hydraulic thumbs utilize top-quality cylinders rated with a 4 to 1 safety factor. AIM hydraulic thumbs ship in one day for most machines!

When you "NEED IT NOW" call us!
We have over 100 thumbs in stock for immediate shipment. We are ready when you need us.

EXCAVATOR GRAPPLES



SPECIFICATIONS

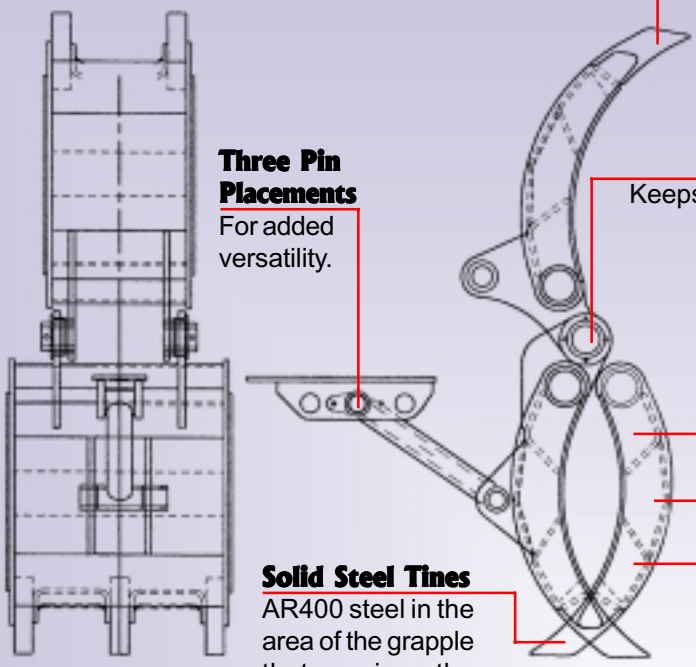
AR400 Steel Structure
Extremely wear-resistant plate for all conditions.

Three Pin Placements
For added versatility.

Exclusive Linkage
Keeps grapple in one piece for easier installation.

Construction
Triple plate, solid body construction, not hollow like many grapples.

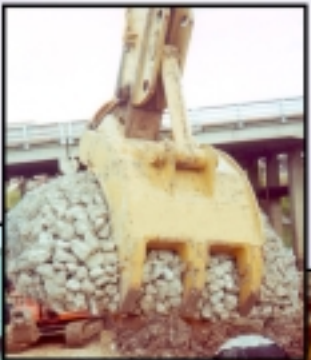
Solid Steel Tines
AR400 steel in the area of the grapple that receives the most wear.



Excavator Grapples

Machine Class	Width	Weight	Overall Openin	Tine Thicknes	Tine Length
24-40,000	36"	2900	100"	2.50"	14"
40-65,000	42"	3800	120"	3.50"	16"
65-100,000	48"	5100	132"	4.00"	18"

Grapples from AIM Attachments are manufactured in three sizes for excavators in classes ranging from 24,000 lbs. to 100,000 lbs. These durable grapples are suitable for numerous demolition, recycling, excavation and salvage operations.



Grapples For 24-100k Excavators In Stock!



GRAPPLES & THUMBS

ADDITIONAL FEATURES

Increased Versatility

AIM Attachments grapples and thumbs increase the versatility of any machine, assisting in waste handling, rip rap, demolition, and brush removal tasks.

Tight Folding Design

AIM thumbs fold up tightly to avoid interference with the bucket when not in use. By means of a quick procedure thumbs can be folded up with or without the stiff-arm.

Hydraulic



No Stiff-Arm



With Stiff-Arm

AR400 steel is used by AIM Attachments in several products including grapples and thumbs. This material is more durable and wear resistant than T-1 steel—a common plate used in attachment manufacturing. AR400 is nearly 38% stronger and 46% harder than T-1. AR400 steel also costs

AR400 STEEL

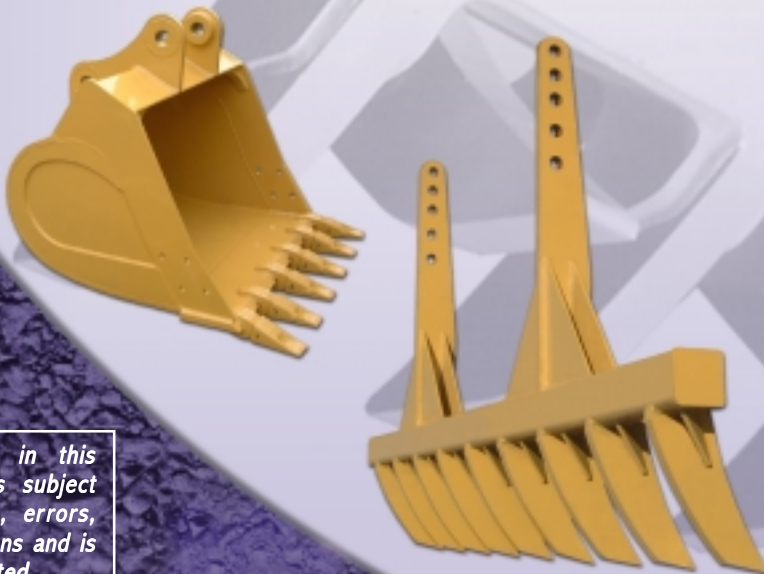
TEST	AR400	T-1 (A514)
Tensile Strength (psi)	180,000	110-130,000
Brinell Hardness	388-429	235-293



AIM Attachments offers an experienced, knowledgeable sales staff, engineering and design department, and management team committed to bringing the best service and products to the customer. As proof that we stand by our product, we offer a 1 year/2,000 hour warranty on every new attachment.

For more information on the attachments that we offer for backhoes, excavators, skid steers, and loaders, please call us toll free at: (800) 803-3365 Ohio, (800) 779-0648 Florida, (800) 789-8554 Arkansas, or local at (614) 539-3030. You can also reach AIM by fax at: (800) 803-3364 or via e-mail at sales@aimattachments.com.

AIM ATTACHMENTS



Information in this brochure is subject to changes, errors, and omissions and is not warranted.